
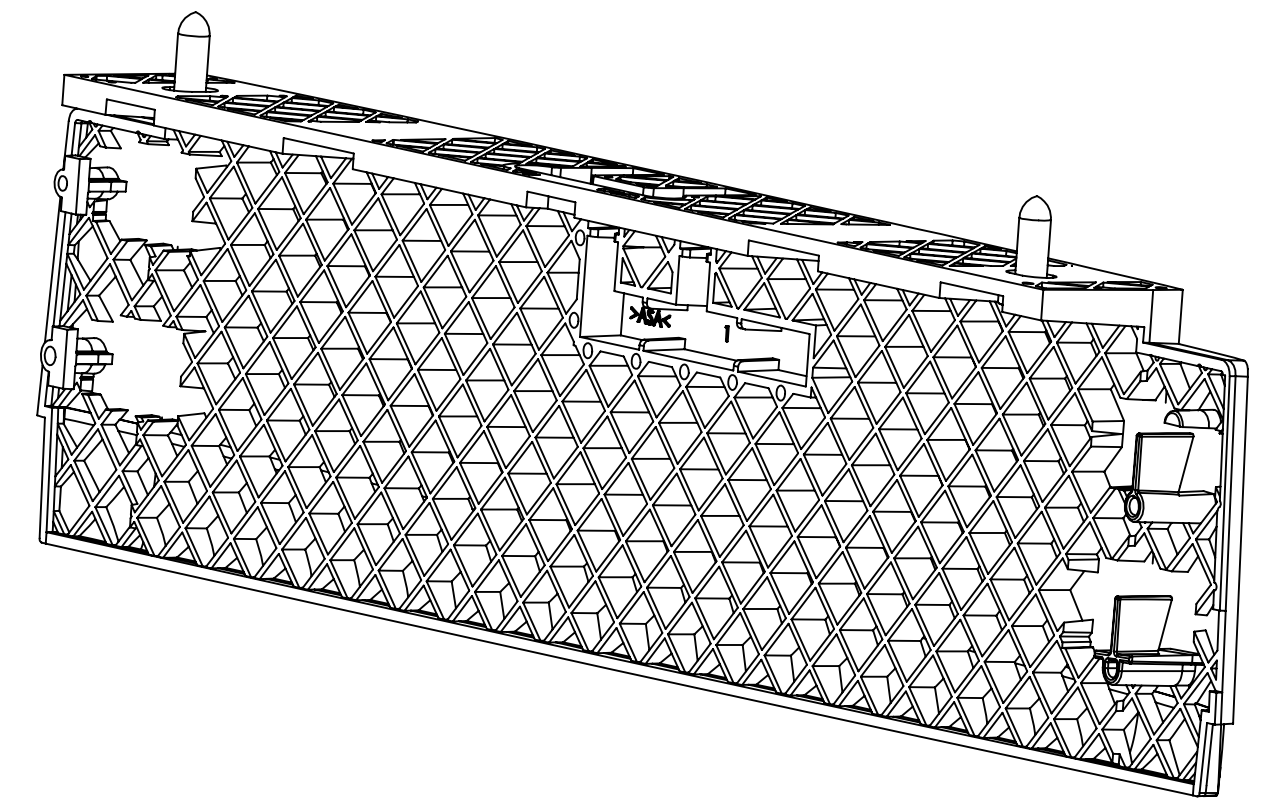
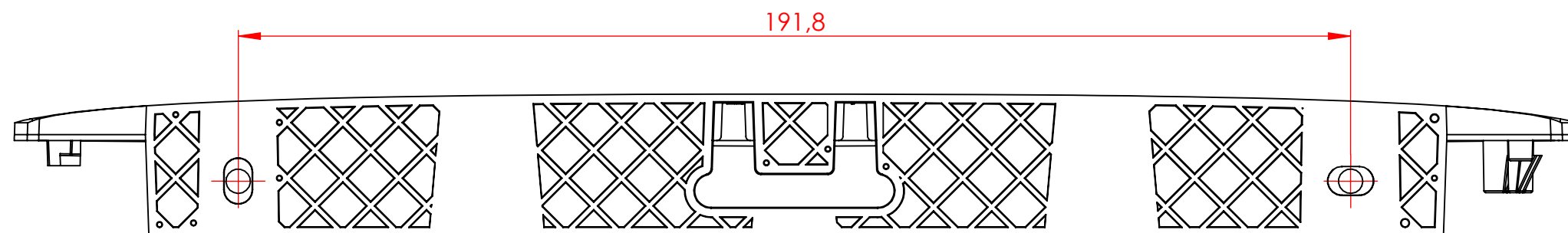
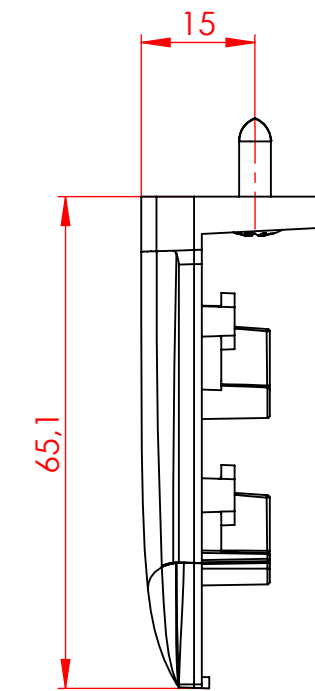
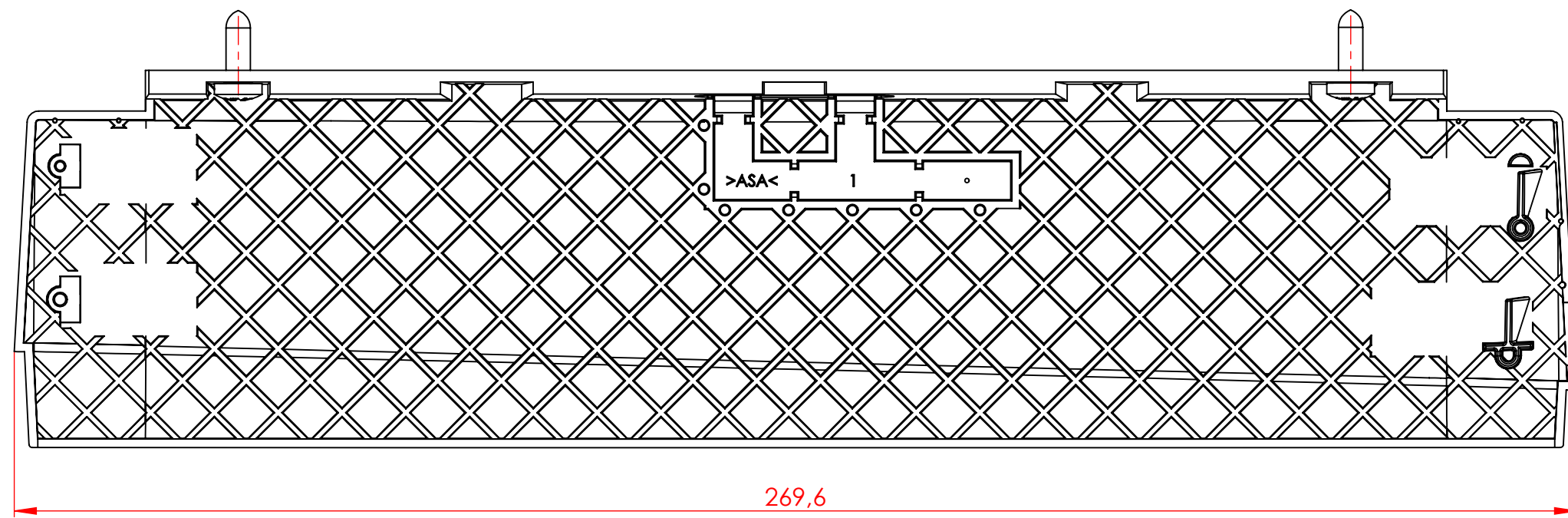



Part Volume : mm <sup>3</sup> - Part Weight : gr		DRAWER : PR	
THIS DRAWING IS THE PROPERTY OF BEA AND MAY NOT BE REPRODUCED WITHOUT WRITTEN AGREEMENT			
<b>MODIFICATIONS LIST</b>			
<i>Date :</i>	<i>By :</i>	<i>Description :</i>	<i>Ver :</i>
-	-	-	-
-	-	-	-
-	-	-	-
-	-	-	-
-	-	-	-
		<b>PROD. NAME : IXIO - D</b> <b>TITLE : IXIO - D BA EXTERNAL DIMENSIONS</b> GENERAL TOLERANCE : -	DATE : 01/03/2012 VERIFIED    APPROVED
A HALMA COMPANY WWW.BEA.BE		MATERIAL : - TREATMENT : - 41.8498 . 0A . PA . 01	Scale : 1:1 Size : A2 PAGE: 1 / 2

PDM Project : E258 - NCS Bracket - File Name : 41.8498 IND - D BA DIM NA



Part Volume : mm <sup>3</sup> - Part Weight : gr		DRAWER : PR	
THIS DRAWING IS THE PROPERTY OF BEA AND MAY NOT BE REPRODUCED WITHOUT WRITTEN AGREEMENT			
<b>MODIFICATIONS LIST</b>			
<i>Date :</i>	<i>By :</i>	<i>Description :</i>	<i>Ver. :</i>
-	-	-	-
-	-	-	-
-	-	-	-
-	-	-	-
-	-	-	-
 A HALMA COMPANY WWW.BEA.BE		<b>PROD. NAME : IXIO - D</b> <b>TITLE : IXIO - D BA EXTERNAL DIMENSIONS</b> GENERAL TOLERANCE : - MATERIAL : - TREATMENT : - Date: 41.8498 . 0A . PA . 01	DATE : 01/03/2012 VERIFIED APPROVED SCALE : 1:1 SIZE : A2 PAGE: 2 / 2

PDM Project : E258 - NCS Bracket - File Name : 41.8498 IND - D BA DIM NA